

GalaLED 112

PORTABLE SAFETY LIGHTING FOR

- Emergency situations
- Civilian and military interventions
- Improvised situations
- Natural disasters



GalaLED 112

portable lighting is suitable for application during various military and civil operations.

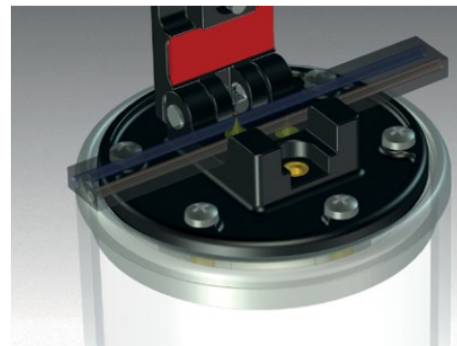
Reliable for use in military service during military and rescue operations and war or for use in peacetime for preparation and execution of military exercises.

In civilian purposes it is used during natural disasters – storms, earthquakes, floods, and to work in underground and inaccessible areas which require durable, safe, and high quality lighting.

The GalaLED 112 system allows quick and easy installation of emergency lighting for operations in the dark.

GalaLED 112 portable lighting is made from a unique technology which enables flexible power supply either from an electrical network or from sources such as a truck or car engine, which is particularly useful in emergency and improvised situations.

The supply voltage ranges from 12V to 48VAC or VDC, which is safe for humans and does not endanger health or life of living beings.



GalaLED 112 is intended for

- Special military operations
- Military training camps
- War and civil shelters
- Temporary settlements, campfire and tents
- Storage below or above ground
- Rescue operations
- Outer and inner areas without lighting